

THIS DRAWING IS UNPUBLISHED. RELEASED FOR PUBLICATION  
 © COPYRIGHT - By - ALL RIGHTS RESERVED.

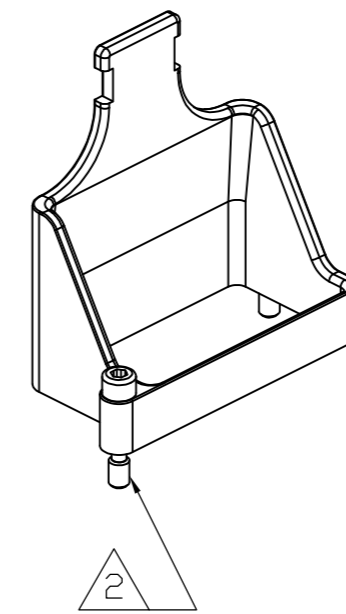
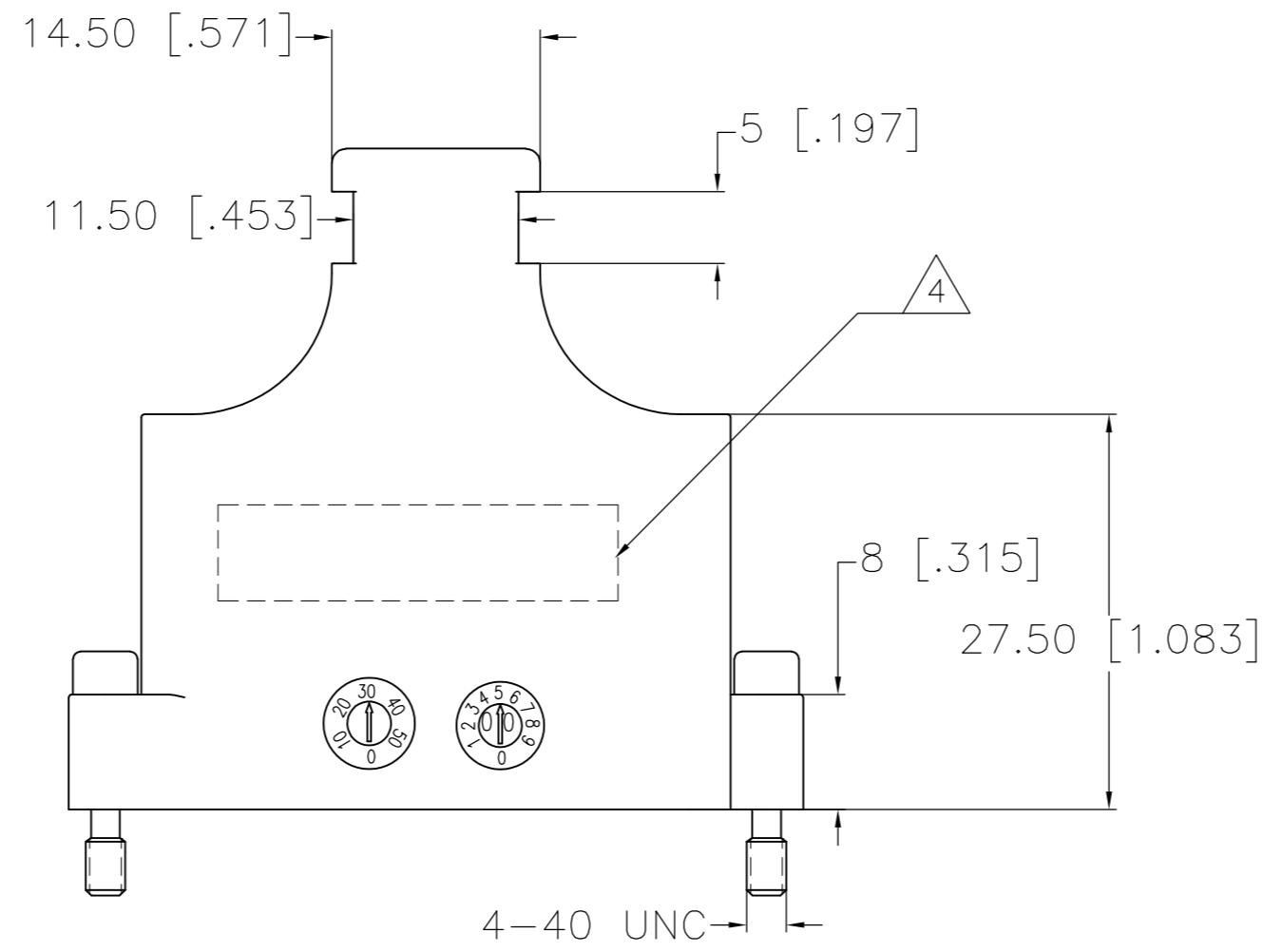
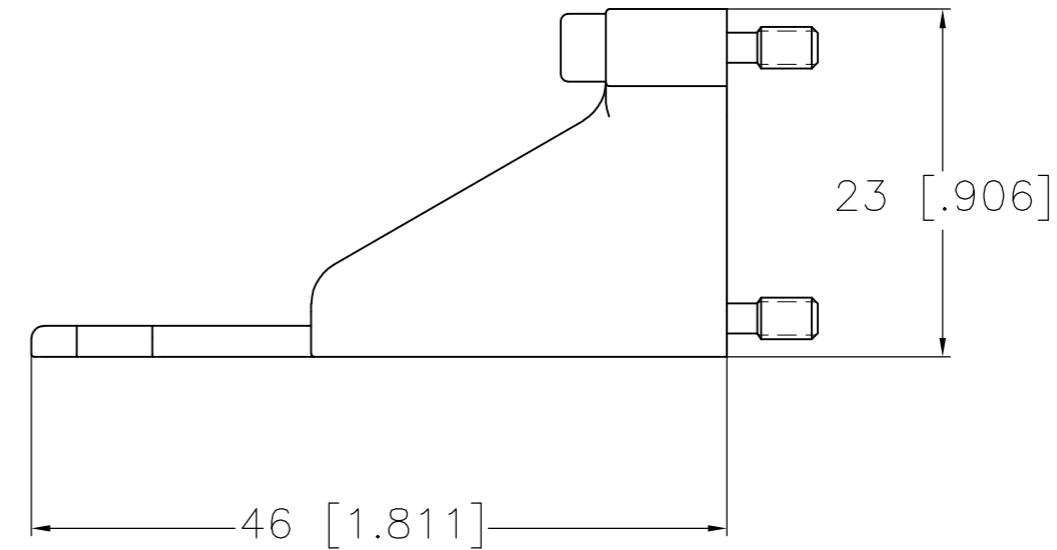
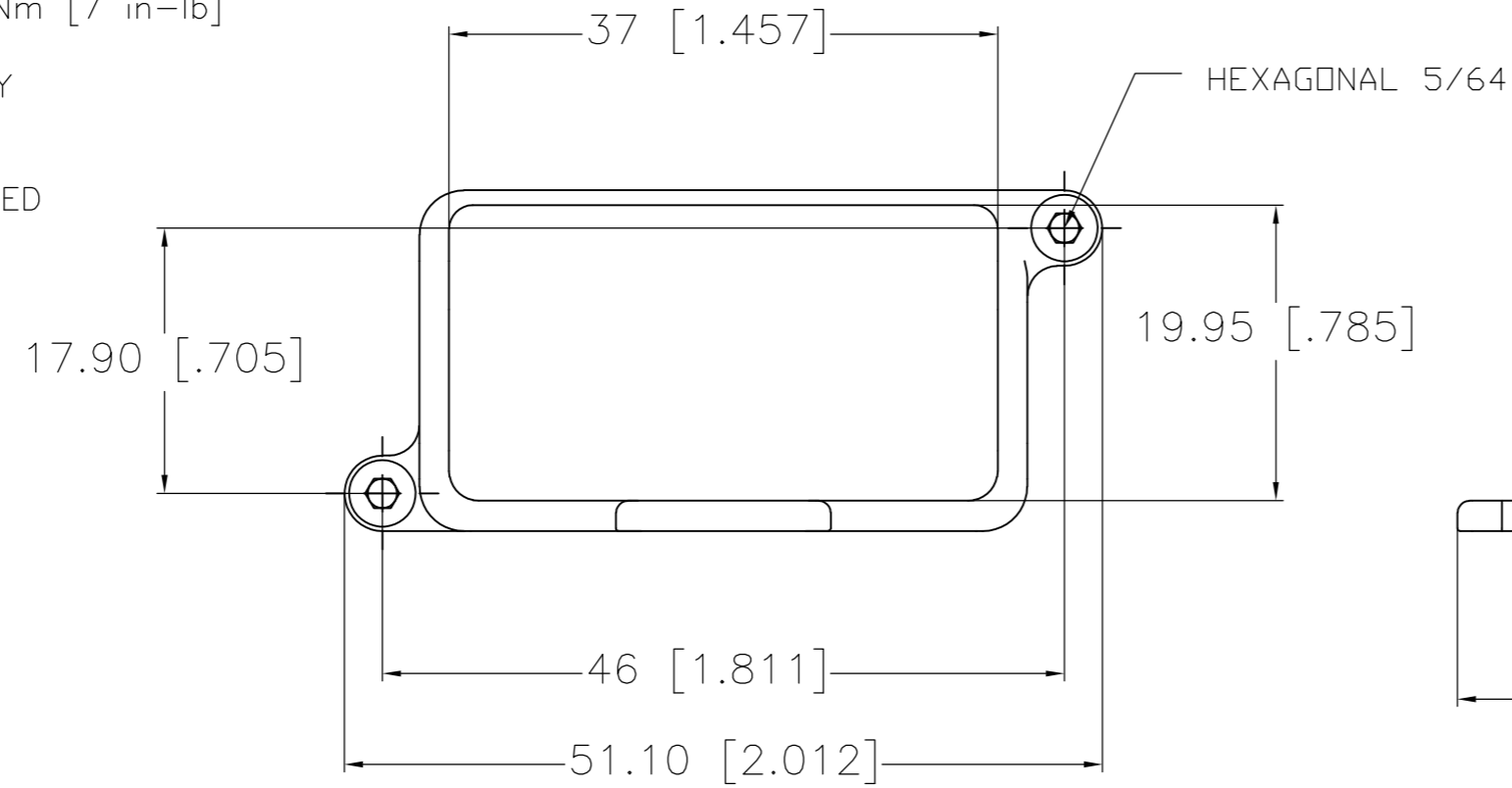
LOC		DIST		REVISIONS			
P	LTR	DESCRIPTION		DATE	DWN	APVD	
-	-	A	REV PER ECO	11-008123	4-27-11	CT	KH

1 MATERIALS :  
 - BACKSHELL : HIGH GRADE THERMOPLASTIC  
 - SCREWS : STAINLESS STEEL 303

2 SCREWS ARE CAPTIVE MOUNTED  
 LOCKING TORQUE FOR 4-40 SCREW= 0,8 Nm [7 in-lb]

3 THIS PRODUCT IS SOLD BY TE CONNECTIVITY  
 UNDER A LICENSE FROM RADIAL SA.

4 MANUFACTURE'S NAME AND PART NO. MARKED  
 IN APPROXIMATE LOCATION SHOWN.



1738310

B

A

1738310-1  
 PART NUMBER

THIS DRAWING IS A CONTROLLED DOCUMENT.		DWN	R FLAIG	OCT03	 TE Connectivity	
DIMENSIONS:		CHK	J MOSIER	OCT03		
mm [INCHES]		APVD	J MOSIER	OCT03		
TOLERANCES UNLESS OTHERWISE SPECIFIED:		PRODUCT SPEC				
0 PLC	± -	APPLICATION SPEC			NAME	GPR-B1 STRAIGHT STRAIN RELIEF
1 PLC	± -				SIZE	A2
2 PLC	± 0.20 [.008]				CAGE CODE	00779
3 PLC	± -				DRAWING NO	C=1738310
4 PLC	± -				RESTRICTED TO	-
ANGLES	± -				SCALE	1:1
MATERIAL	-	FINISH	-		SHEET	1 of 1
	1				REV	A
CUSTOMER DRAWING						